


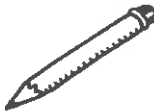
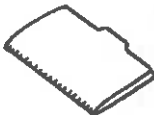
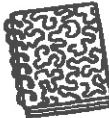


¿Un o una?

A. Look at the drawings below and decide if they represent masculine or feminine words. Then, label the item in the space provided. Don't forget to use the appropriate indefinite article (**un** or **una**).

Modelo



un profesor

- | | | | |
|---|-------|--|-------|
| 1.  | _____ | 4.  | _____ |
| 2.  | _____ | 5.  | _____ |
| 3.  | _____ | 6.  | _____ |

B. Now, look at the drawings below and describe each person. Make sure to use all the words from the word bank. Don't forget to use the correct definite article (**el** or **la**) and to make the adjectives agree with the nouns.







estudiante familia chico chica profesor profesora

Modelo



La estudiante

es trabajadora.

- | | | | |
|--|-------|--|-------|
| 1.  | _____ | 4.  | _____ |
| 2.  | _____ | 5.  | _____ |
| 3.  | _____ | 6.  | _____ |